

PUPS04

Retractable power tower, model PUPS04 for the distribution of energy and other services

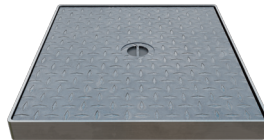
MECHANICAL SPECS

Retractable power tower, model PUPS04 for the distribution of energy and other services, made of press-bent AISI304 stainless steel painted RAL 1021 with two sides available for mounting electrical equipment. Manual lifting by its special hooked-key up to its lock position. Complete with RBK concrete box with the following external dimensions 490x490xh740mm.

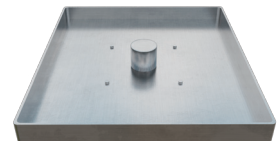
ELECTRICAL SPECS

Electrical equipment containment box with IP 66 protection IEC 60 529 and CE70-1 double insulation in thermoplastic material free of halogen self-extinguishing halogen, painted grey RAL 7035 resistant to abnormal heat and fire up to 650 ° (incandescent wire test according to IEC 60 695-2 -1). Elastomer sealing gaskets for dimensional stability in continuous operation from -20 ° to + 85 °. Resistance to chemical agents (water, saline solutions, acids, bases and oils) and atmospheric agents. Reference standards: CEI 23-48 and IEC 60 670. This system is suitable for manufacturing equipment and for places with a higher risk of fire (IEC 64-8 / 7).

AVAILABLE COVERS



400kN STAINLESS STEEL COVER WITH ALMOND FINISH



250kN STAINLESS STEEL COVER TO FILL



TECHNICAL DETAILS

STRUCTURE

- RBK concrete box
- Structure: AISI304 stainless steel
- Structure: AISI316L stainless steel (only on demand)

CONNECTION SYSTEM

- Connection to 3 metre (standard) H07RN-F cable tail from unit to be connected to incoming supply by underground polymer joint (torpedo joint)

ELECTRICAL SPECS

- Voltage 230V/400V
- Frequency from 50hz to 60hz
- Standard protection of the sockets IP67
- Regulation EN 60947-1 and EN 61439

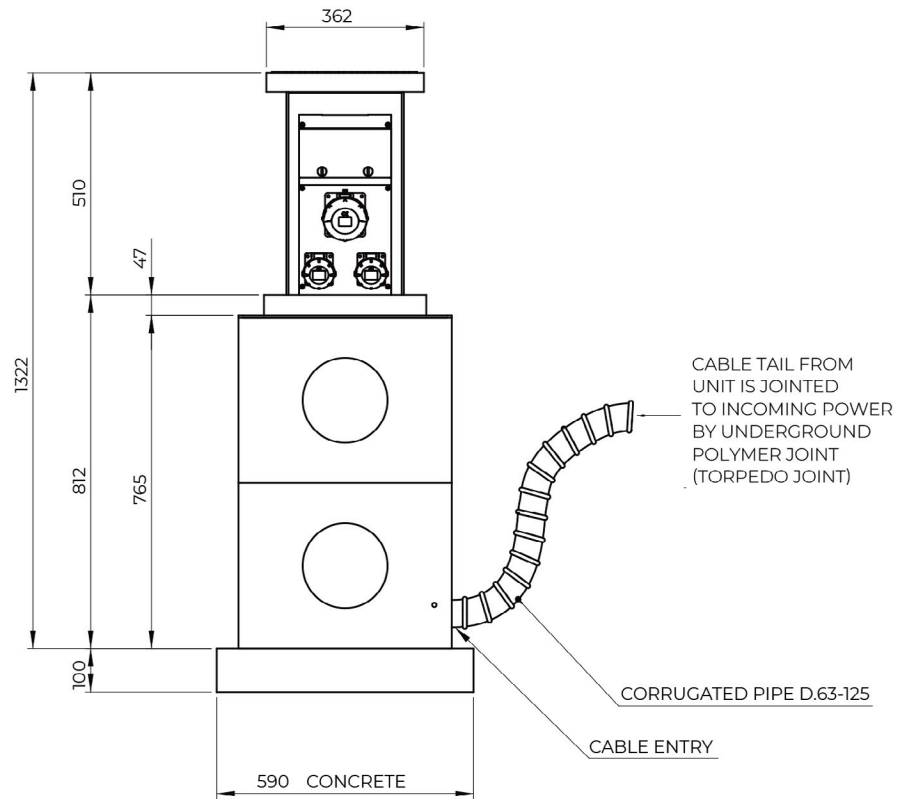
ADDITIONAL EQUIPMENT

- Compressed air outlets
- Audio / video connectors
- RJ-data / video / telephone jacks
- Energy consumption meters

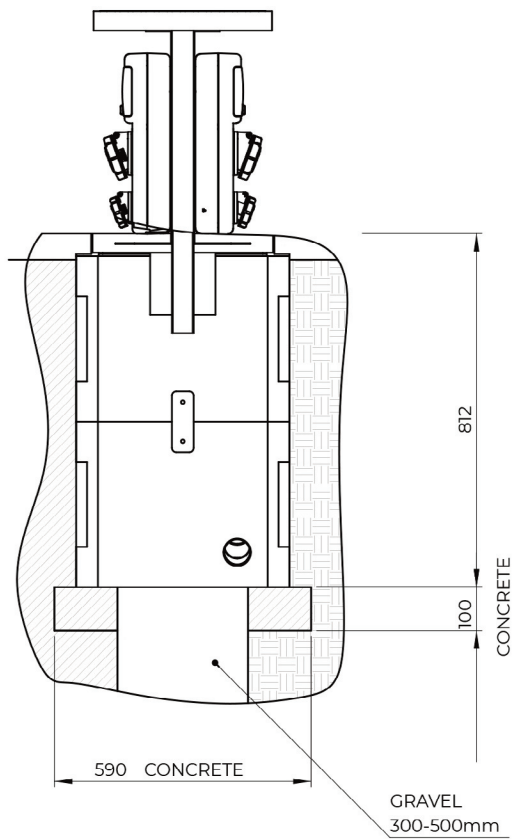
* Electro pickling and electropolishing with passivation of stainless steel treatment to finish and clean the covers from welding marks

TECHNICAL DRAWING (EXAMPLES)

Unit front view



Unit side view



PUPS04 IN-SITU EXAMPLE

Unit open



Unit closed

