

PUPS 03

Retractable power tower, model PUPS03 for the distribution of energy and other services

MECHANICAL SPECS

Retractable power tower, model PUPS03 from the "Urban Technology" line for the distribution of energy and other services, with AISI304 stainless steel frame and D400 cast iron EN 124 cover completed with two cable outlets to allow to use the unit with its cover closed. Non-slip surface according to UNI EN 124 class D400; surface features the mandatory class D400, EN 124 and certification body mark. The cast iron cover is manufactured in certified facilities according to ISO 9001 quality standards. The union between cover and the frame is ensured by bronze hinges, easily replaceable. Semiautomatic lifting with release key and gas rams; the opening is eased by a double gas actuator and a pivot partially removable from the lid surface. The closing is guaranteed by a bronze bayonet lock, protected from dust and water by a hinged flap door. Complete with RBK concrete box with the following external dimensions 590x590xh470mm.



TECHNICAL DETAILS

STRUCTURE

- RBK concrete box
- Structure: AISI304 stainless steel
- Structure: AISI316L stainless steel (only on demand)

CONNECTION SYSTEM

- Connection with junction box

ELECTRICAL SPECS

- Voltage 230V/400V
- Frequency from 50hz to 60hz
- Standard protection of the sockets IP67 or IP68
- Regulation EN 60947-1 and EN 61439

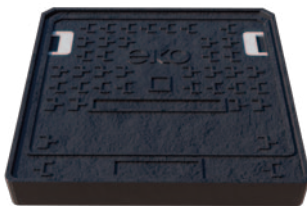
ADDITIONAL EQUIPMENT

- Compressed air outlets
- Audio / video connectors
- RJ-data / video / telephone jacks
- Energy consumption meters

ELECTRICAL SPECS

Thermoplastic material free of halogen self-extinguishing halogen, painted grey RAL 7035 resistant to abnormal heat and fire up to 650 ° (incandescent wire test according to IEC 60 695-2 -1). Elastomer sealing gaskets for dimensional stability in continuous operation from -20 ° to + 85 °. Resistance to chemical agents (water, saline solutions, acids, bases and oils) and atmospheric agents. Reference standards: CEI 23-48 and IEC 60 670. This system is suitable for manufacturing equipment and for places with a higher risk of fire (IEC 64-8 / 7).

AVAILABLE COVER

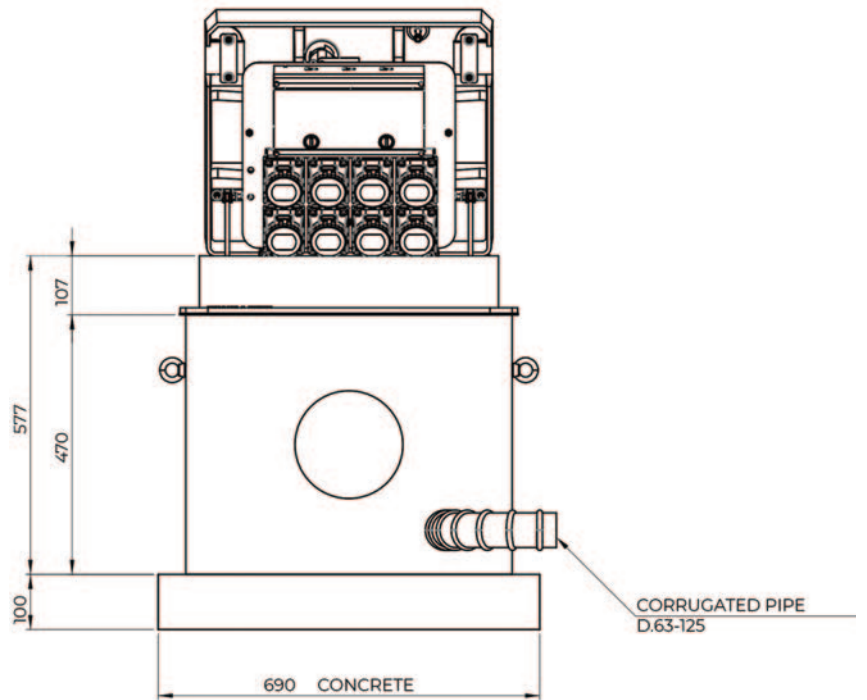


D400 CAST IRON EN124 COVER

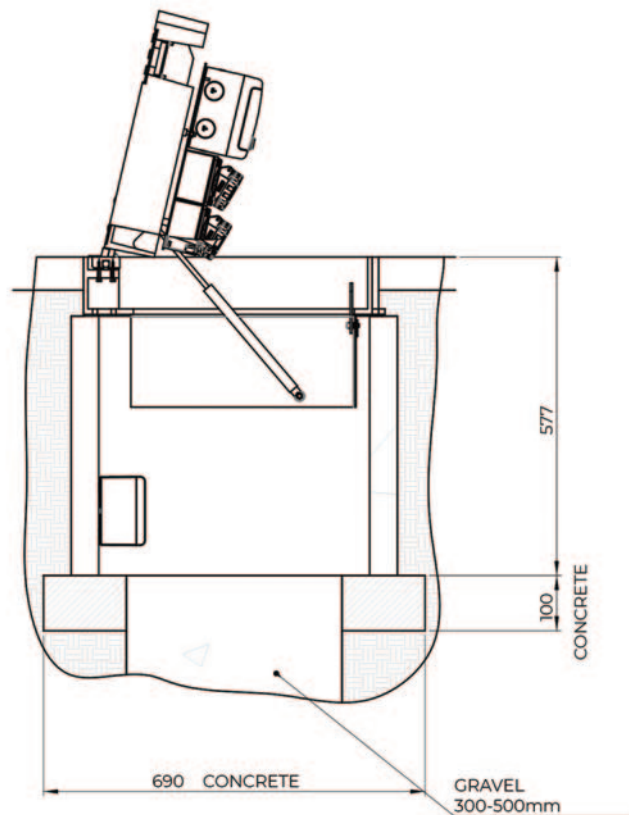
* Electro pickling and electropolishing with passivation of stainless steel treatment to finish and clean the covers from welding marks

TECHNICAL DRAWING (EXAMPLES)

Unit front aspect

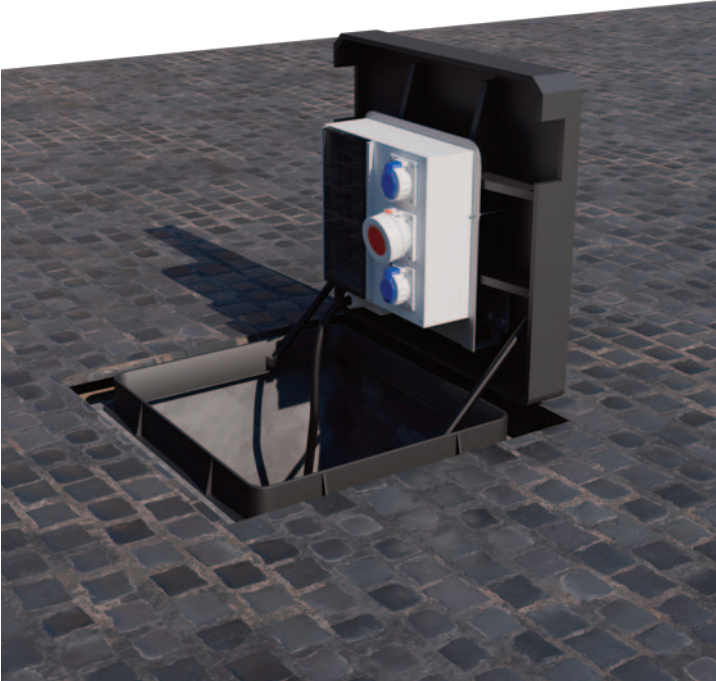


Unit side aspect



PUPS03 IN-SITU EXAMPLE

Unit open



Unit closed

