

# PUPS02 4040



**Retractable power tower, model PUPS02 4040 for the distribution of energy and other services**

## MECHANICAL SPECS

Retractable power tower, model PUPS02 4040 for the distribution of energy and other services, made of AISI304 stainless steel with its cover complete with cable outlet to allow to use the unit with its cover closed. Semiautomatic lifting with release key and gas rams: the opening is eased by a double gas actuator and a pivot partially removable from the lid surface; the closing is guaranteed by a AISI304 stainless steel bronzed bayonet lock, operated by its square key. Complete with RBK concrete box with the following external 490x490xh370mm.

## ELECTRICAL SPECS

Electrical equipment containment box with IP 66 protection IEC 60 529 and CE70-1 double insulation in thermoplastic material free of halogen self-extinguishing halogen, painted grey RAL 7035 resistant to abnormal heat and fire up to 650 ° (incandescent wire test according to IEC 60 695-2 -1). Elastomer sealing gaskets for dimensional stability in continuous operation from -20 ° to + 85 °. Resistance to chemical agents (water, saline solutions, acids, bases and oils) and atmospheric agents. Reference standards: CEI 23-48 and IEC 60 670. This system is suitable for manufacturing equipment and for places with a higher risk of fire (IEC 64-8 / 7).

## TECHNICAL DETAILS

### STRUCTURE

- RBK concrete box
- Structure: AISI304 stainless steel
- Structure: AISI316L stainless steel (only on demand)

### CONNECTION SYSTEM

- Connection with junction box

### ELECTRICAL SPECS

- Voltage 230V/400V
- Frequency from 50hz to 60hz
- Standard protection of the sockets IP67 or IP68
- Regulation EN 60947-1 and EN 61439

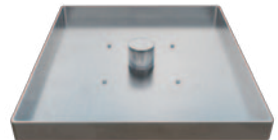
### ADDITIONAL EQUIPMENT

- Compressed air outlets
- Audio / video connectors
- RJ-data / video / telephone jacks
- Energy consumption meters

## AVAILABLE COVERS



400kN STAINLESS STEEL COVER WITH ALMOND FINISH

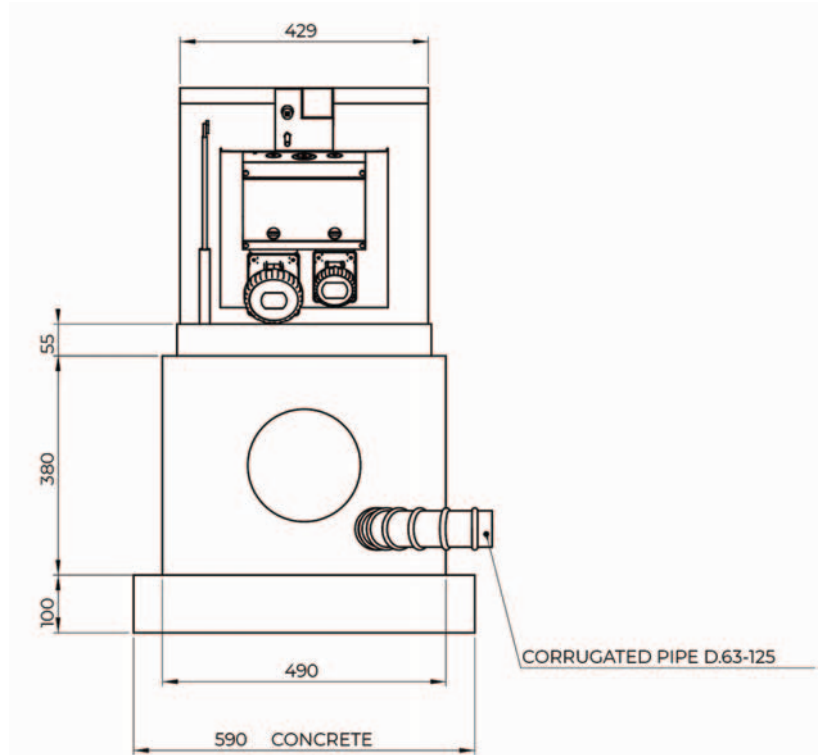


250kN STAINLESS STEEL COVER TO FILL

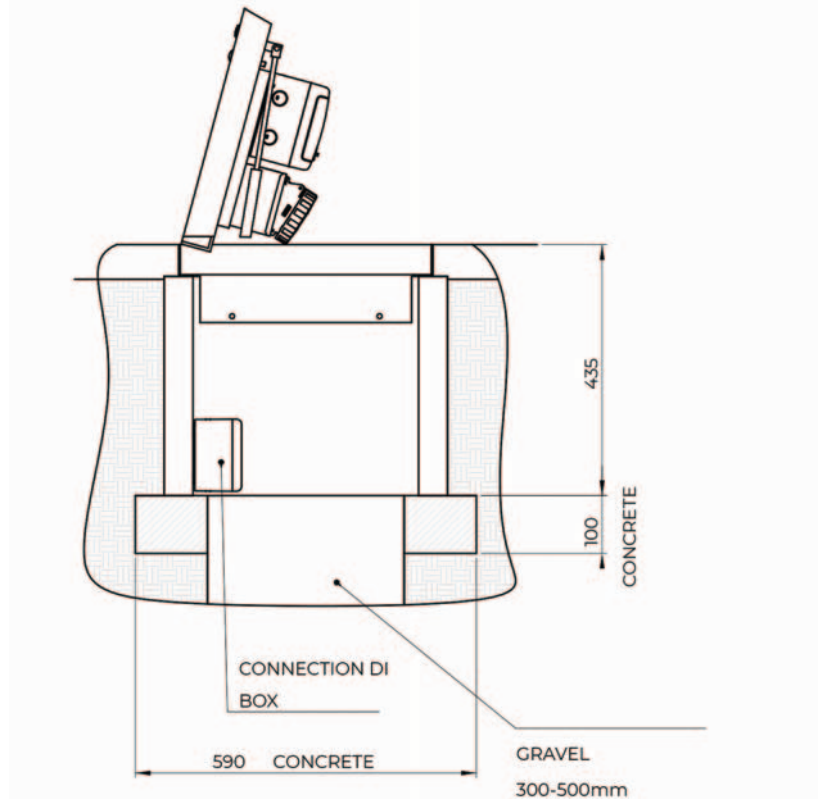
\* Electro pickling and electropolishing with passivation of stainless steel treatment to finish and clean the covers from welding marks

# TECHNICAL DRAWING (EXAMPLES)

Unit front aspect



Unit side aspect



# PUPS02 4040 IN-SITU EXAMPLE

Unit open



Unit closed

